



The Posi-flate Series 473 Regulator is designed for exceptionally long life as a remote pilot operated air pressure regulator.

### Features

- High flow
- Rapid and accurate response to changes in pilot pressure
- Balanced design of internal components keeps constant outlet pressure despite changes to inlet pressure
- 1/4" NPT inlet and outlet gauge ports
- Zero flow shut-off

### Technical Data

**Fluid:** Compressed air

#### Output Pressure Range:

3 psig (0.2 bar) minimum to 175 psig (12.1 bar) maximum, depending upon configuration

#### Maximum Inlet Pressure:

Size	Operating Pressure	Maximum Inlet Pressure
1-1/4"	10-170 psig	170 psig
2"	3-80 psig	80 psig
2"	5-110 psig	110 psig
2"	20-175 psig	175 psig

#### Operating Temperature:

Normal: -40° F to 175° F (-40° C to 80° C)\*

Optimal: -40° F to 250° F (-40° C to 121° C)\*

#### Maximum Flow Rate:

1-1/4" Regulator: 1100 SCFM (520 dm<sup>3</sup>/s)\*\*

2" Regulator: 3000 SCFM (1416 dm<sup>3</sup>/s)\*\*

#### Air Ports:

Inlet Size (NPT)	Outlet Size (NPT)	Inlet Gauge Quantity	Outlet Gauge Quantity	Inlet Gauge Size (NPT)	Outlet Gauge Size (NPT)	Pilot Size (NPT)
2"	2"	2	2	1/4"	1/4"	1/4"
1-1/4"	1-1/4"	2	2	1/4"	1/4"	1/4"

#### Materials:

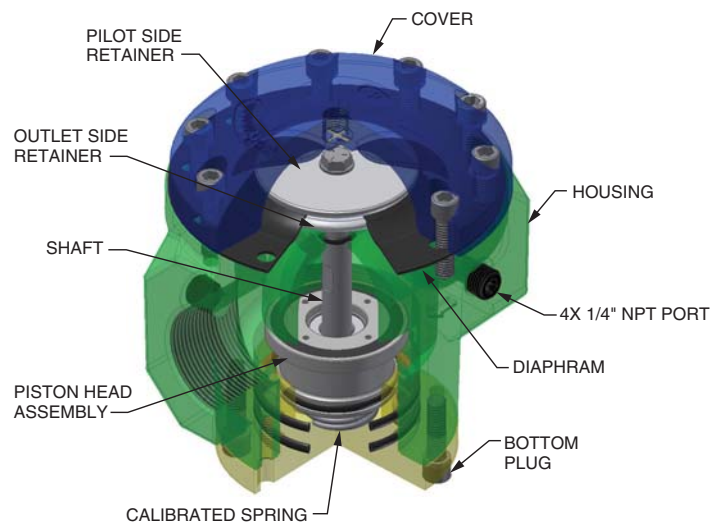
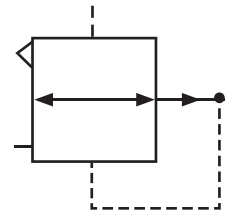
Body: Polyester-coated aluminum

Bottom plug: Anodized aluminum

Internal components: Anodized aluminum

Elastomers: Nitrile

#### ISO Symbol:

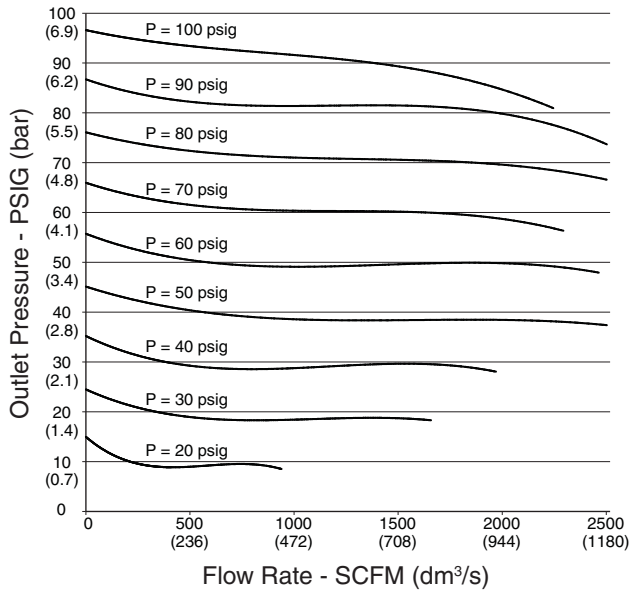


\* Air supply must be dry enough to avoid ice formation at temperatures below 35° F (2° C).

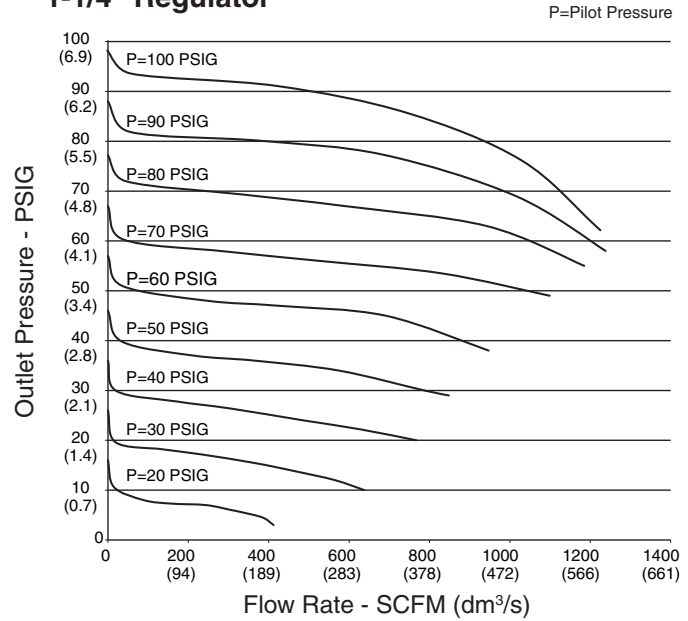
\*\* Typical flow with 100 psig (6.9 bar) inlet pressure, 90 psig (6.3 bar) set pressure, and a drop of 15 psig (1 bar).

# Performance Characteristics

## 2" Regulator

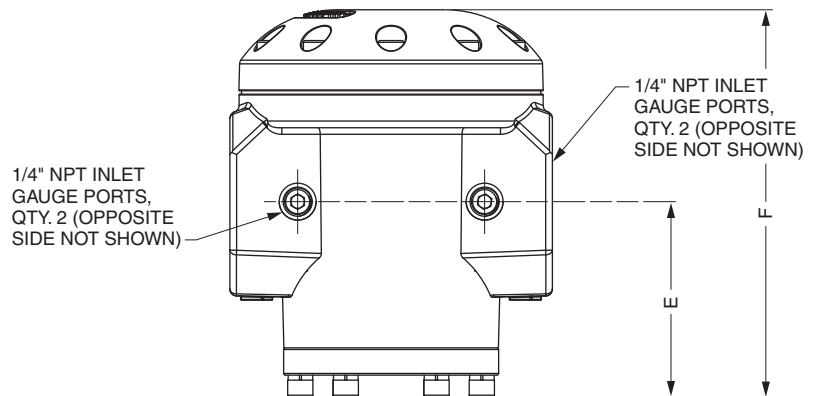
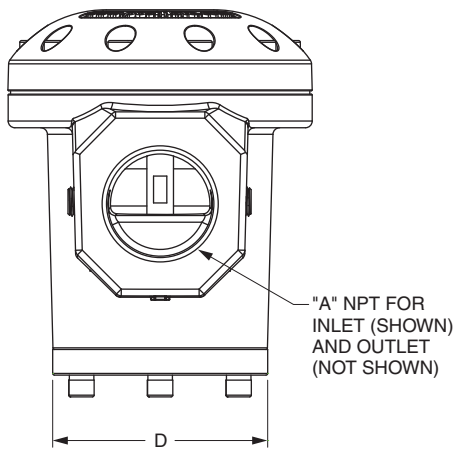
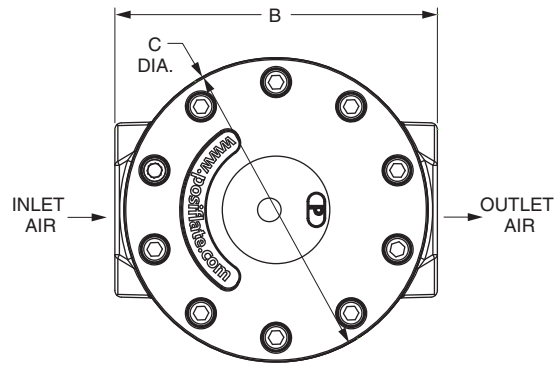


## 1-1/4" Regulator



## Dimensions & Specifications

Size	Regulator Dimensions - Inches (mm)					
	A	B	C	D	E	F
1-1/4"	1.25	4.00	3.80	2.88	2.44	4.77
		(101.6)	(96.5)	(73.1)	(62.0)	(121.2)
2"	2.00	6.00	5.66	4.00	3.63	7.20
		(152.4)	(143.8)	(101.6)	(91.9)	(182.6)



Dimensions are in inches unless otherwise noted.  
All specifications subject to change without notice.

Posi-plate® is a registered trademark of Posi-plate, St. Paul, Minnesota.

© Copyright 2019, Posi-plate®

Printed in U.S.A. • Bulletin 21315 (dm3)

**posi-plate®**  
butterfly valves

**Corporate Headquarters**  
Posi-plate • St. Paul, MN USA • +1 651 484-5800  
**Worldwide Offices**  
Brazil • China • United Kingdom  
[www.posiflate.com](http://www.posiflate.com)